

Your chimney for life

# cheminées Poujoulat



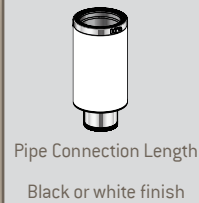
## Finishes available to order



and many others ...

## CONFORMITY

The Therminox twin wall chimney system and its range of accessories meets Building Regulations.

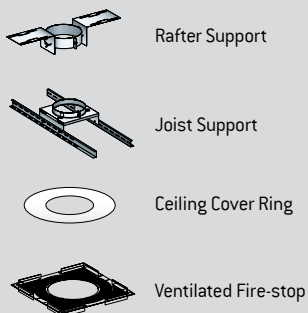


Pipe Connection Length  
Black or white finish



Solid Fire-stop Plate  
Black or white finish

## Accessories

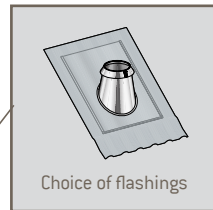


Rafter Support

Joist Support

Ceiling Cover Ring

Ventilated Fire-stop

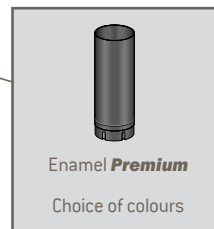


Choice of flashings



Therminox ZI  
Aluzinc outer case

## THERMINOX Twin Wall System Chimney



Enamel **Premium**  
Choice of colours

## Key Benefits Using Therminox

- Aesthetically pleasing
- High quality
- Quick and easy to install
- 10 year AXA guarantee

## SAFETY

Soot fire tested at 1,000 °C, the Poujoulat twin wall system chimney guarantees safe resistance to temperature.



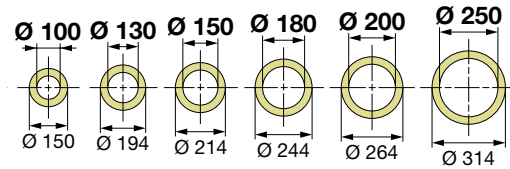
## AESTHETIC

The «Pipe Connection Length» provides an attractive connection between the single wall flue pipe and the twin wall chimney.



**THERMINOX** -A high quality, multi-fuel, stainless steel twin wall insulated chimney system, available in TI for "external use" and ZI for "internal use". They are designed for use with all gas, oil, pellet, wood, coal and solid fuel appliances.

## DIAMETERS



Other diameters **up to 600mm** available to order, please refer to [Therminox Commercial Range](#)

## PRINCIPLE FEATURES

- > **Inner wall material:** 316 stainless steel 0.4 mm thick
- > **Outer casing:** Stainless steel 0.4 mm thick
- > **Max. Temperature limitation:**
  - > Soot fire tested at 1000°C
  - > Operating temperature 450°C
- > **Insulation:** High pressure injected mineral wool 30mm thick.
- > **Support:** Lateral (wall bracket) every 4 metres. Deadweight (wall support) every 16 metres. Freestanding up to 3 metres above last support.
- > **Aesthetics:** Recessed locking band
- > **Fire-stop arrangement:** See pages 48 [Solid fire-stop plate, tested & approved](#)
- > Full range of accessories: Elbows & lengths with inspection door available.
- > 4 hours fire rated to BS 476-20

## BENEFITS

- > **Up to 3m freestanding above roof.**
- > **4m between guides.**
- > **Solid fire-stop plate.**
- > **Recessed locking band.**
- > **Aesthetically pleasing look.**
- > **Quick and easy to install.**
- > **Customer satisfaction.**
- > **Easily meets regulation requirements.**

## FINISHES AVAILABLE

### Aluzinc Outer ZI



Therminox ZI is - **20%** less than the Therminox TI Price

### RAL Colours



Painting is an additional + **20%** to the Therminox TI Price

### Copper Finish



Copper Finish is an additional + **40%** to the Therminox TI Price

Product certified: **BS EN 1856-1:2003**

**CE 0071 CPD 011**

**T450 N1 W V2L50 040 G50**

**T250 N1 W V2L50 040 O20**

**T200 P1 W V2L50 040 O20**

*(with seal)*