



Your chimney for life



cheminées Poujoulat

IDEAL FOR BUNGALOWS

- ### Key Benefits Using COMFORT+
- Heat another 4 rooms
 - Exceptional value
 - Optimize output of the stove
 - Quick and easy to install

Ventilator
To extract and despatch warm air

Air Inlet Vent
Take cold air from the room

Air distribution network
To carry off warm air

Air Outlet Vents
To distribute warm air into the rooms

Switch

COMFORT+
Warm Air Distribution System

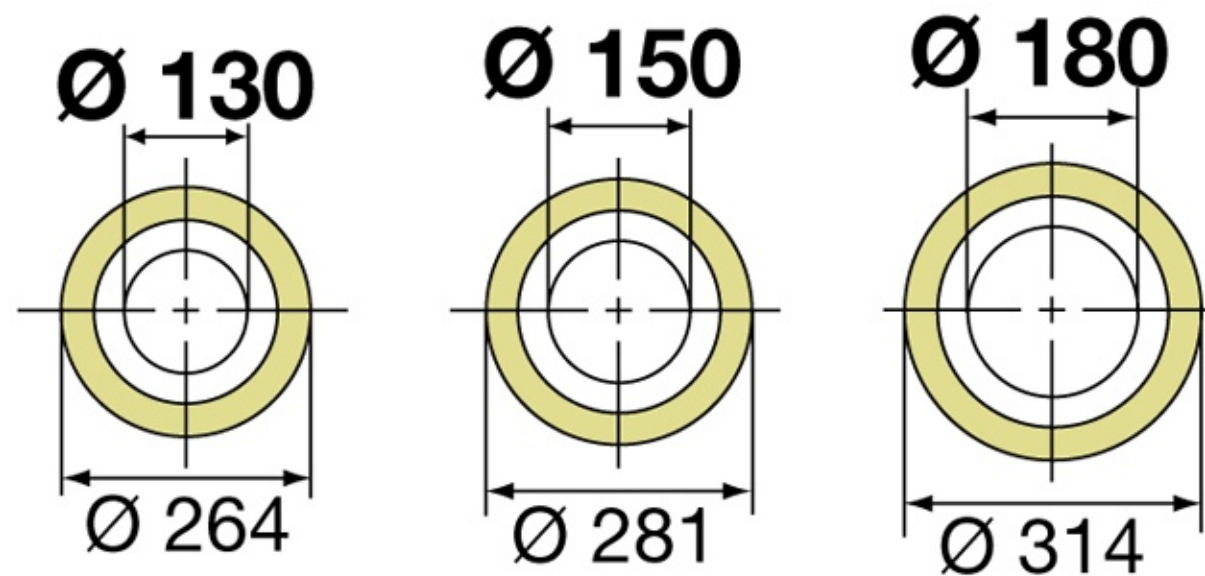
Thermostatic control
To regulate system temperatures

OVER
30
YEARS
OF EXCELLENCE



The **COMFORT+ Warm Air Distribution** system is a recovery of hot air via a chimney heat exchanger which consists of taking the heat produced a stove and distributing it to selected rooms.

TI HEAT EXCHANGER DIAMETERS



DOUBLE SKIN DUCT

for ventilation & air conditioning

FLEXALU ACOUSTIQUE

- > Perforated aluminium / glass wool insulation 25mm / aluminium 1050

FLEXALU THERMIQUE

- > Aluminium / glass wool insulation 25mm / aluminium 1050

PHONI-ALU

- > Phonic & thermal insulation / fire resistance: M1 outside - M0 inside

PRINCIPLE FEATURES

- > Thermostatically controlled hot air heat distribution.
- > Low power and various size fans available.
- > Heat from renewable source.
- > Complete range of accessories to suit your requirements.

BENEFITS

- > **Very small running cost**
- > **Even distribution of heat throughout four rooms**
- > **Optimize the output of the chimney & stove**
- > **Reduce the variation of temperature between the ground and the ceiling**
- > **Solution available all in a box & easy to install**

